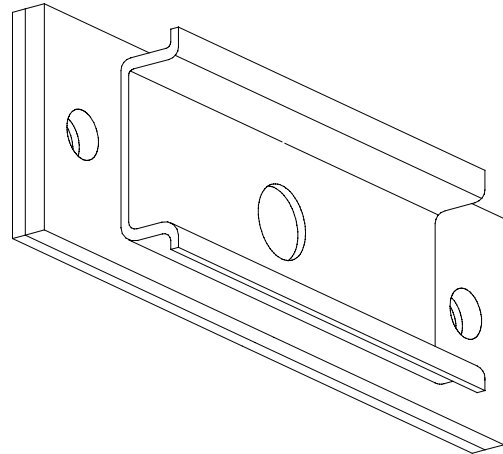


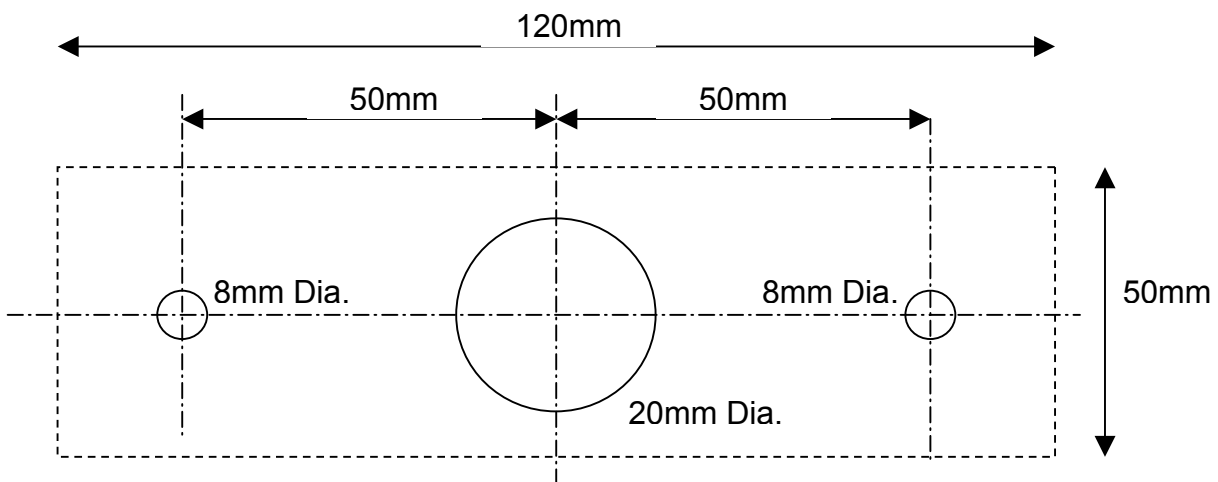
012562 DIN Rail Mounting for Horizontal Ducts
007206 Vertical Adaptor Plate (Not Shown)

Features

- Stainless Steel (304)
- Removable Window for Cleaning
- Gasket, Black Foam (4.7mm thick)
- Fixings Supplied



Mounting Holes Required



Base Plate – 5mm thick, Flat Bar
Top Hat Rail – 15mm high