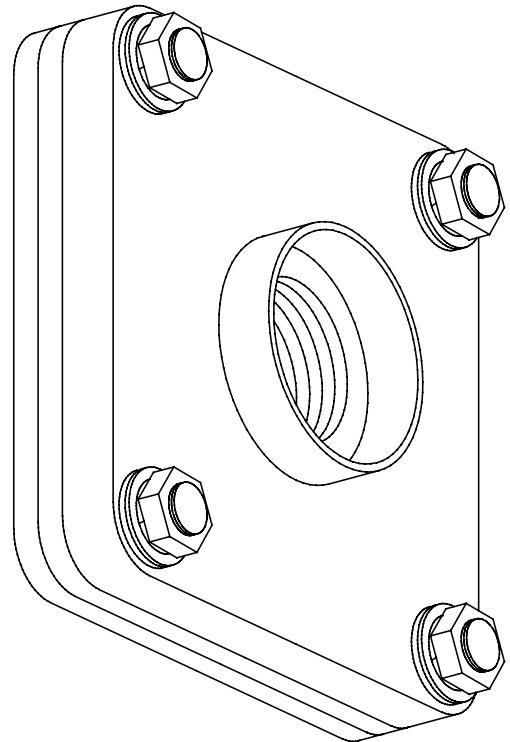
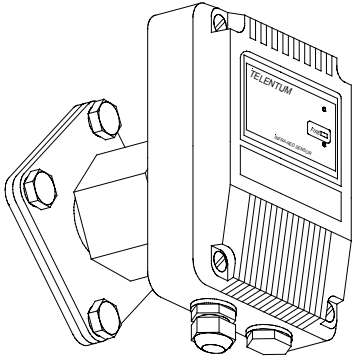


012561 Mounting Flange with Window for Bayonet Mount



Features

- Window for Thermal Protection
- High Temperature Construction
 - 130C (266F) Max. Continuous
 - 150C (302F) Max. Intermittent
- Including Gaskets
- Fixings Supplied

Mounting Holes Required

