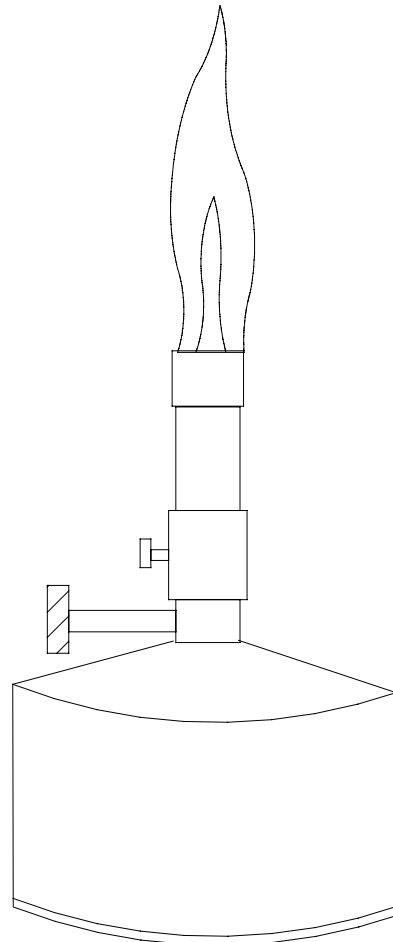


010018
002620

Portable Bunsen Burner with Cartridge
Replacement Gas Cartridge 215gm

Features

- Flame Detector Testing
- Activates Detectors at 5m and beyond
- Flickering Yellow Flame
- Adjustable Flame Size
- Butane/Propane mix
- Typical Continuous Burning Time
2¾ hours



The best way to test a flame detector is with a real flame. The use of a real flame may not always be acceptable in some applications so check before use. If a real flame is not an acceptable test or demonstration device then a flame simulating test unit can be used.

Note:

Many flame detectors rely on flame flicker to operate so the air supply to the burner must be closed in order to produce a yellow flickering flame. A steady blue flame may be ignored by some flame detectors as they may not consider it a hazard.